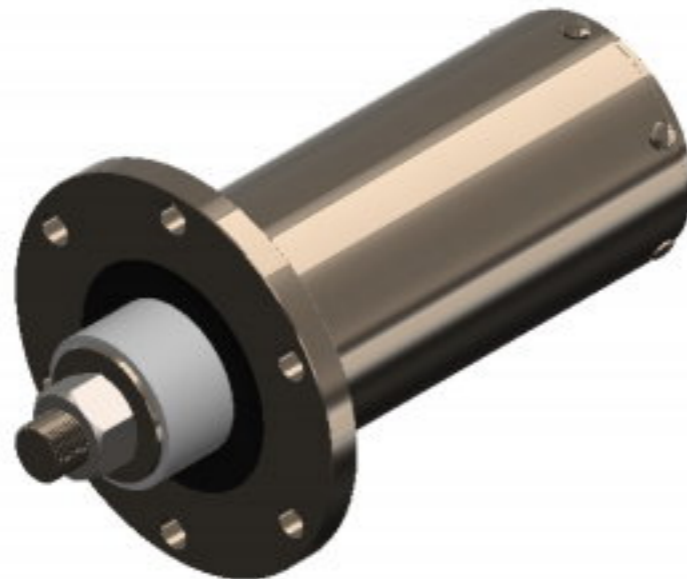
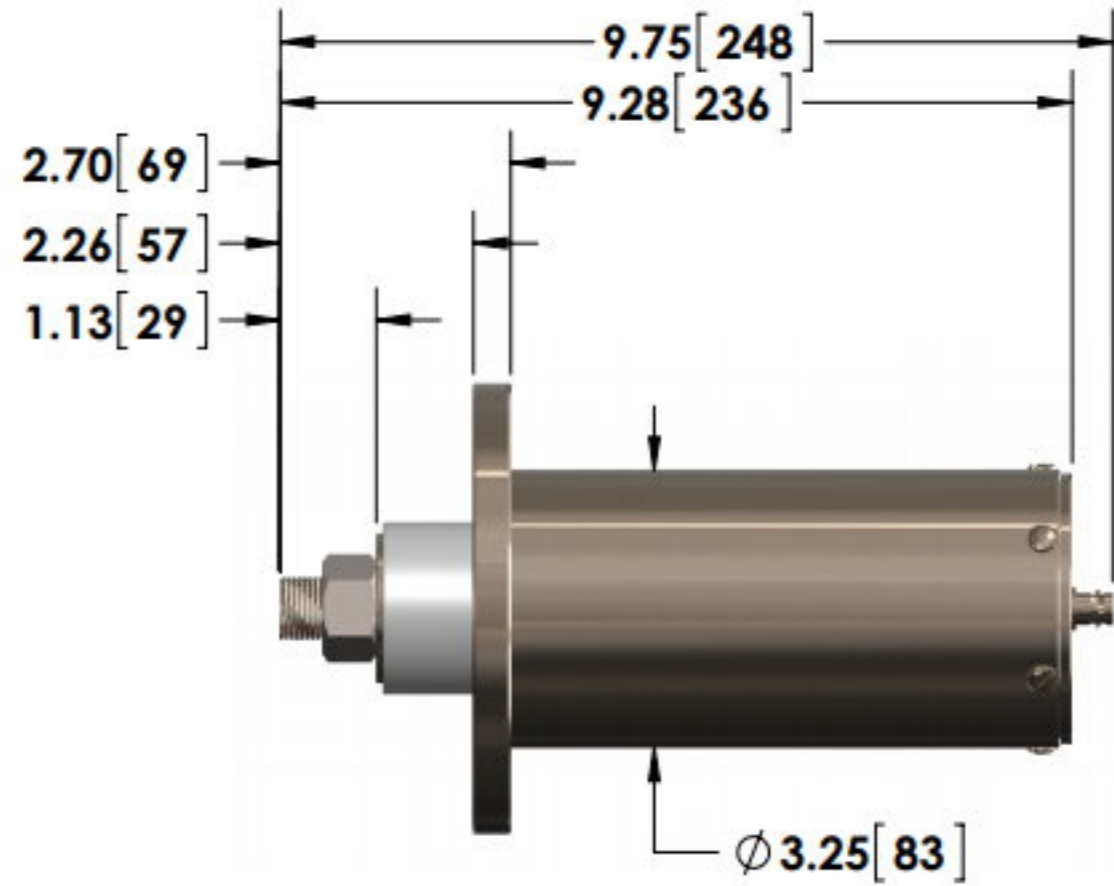
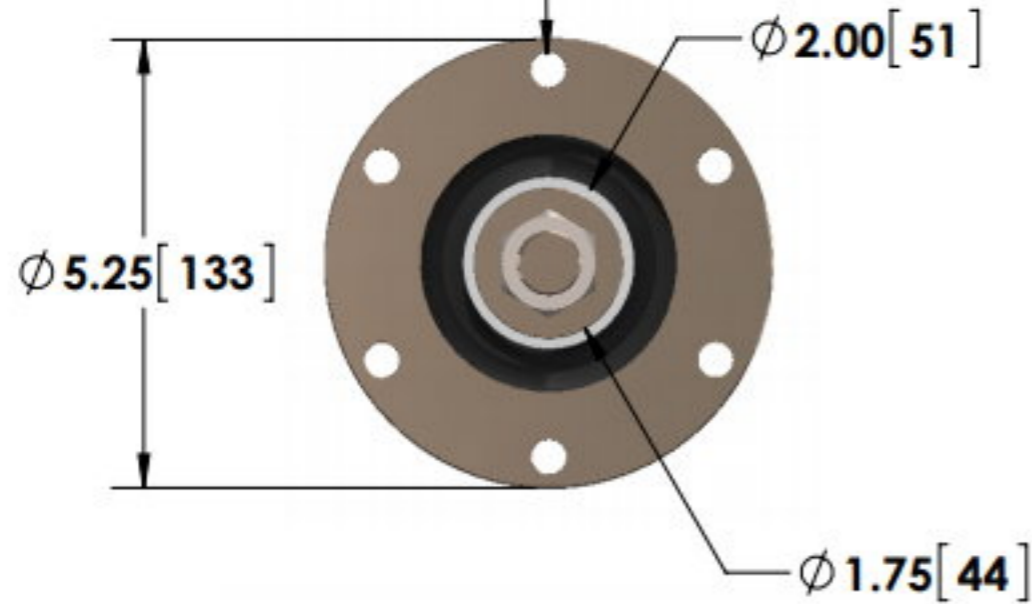


- 3/4-16 Stud Input w/ Nut
- BNC (Amphenol) Output

6X ϕ .41 [10] THRU
ON A 4.50 [114] BOLT CIRCLE



Specifications subject to change without notice.



T & M RESEARCH PRODUCTS, INC.

TITLE:

K SERIES - 150 WATT UNIT

DIMENSIONS:

inch[mm]

DATE:

04-01-2015